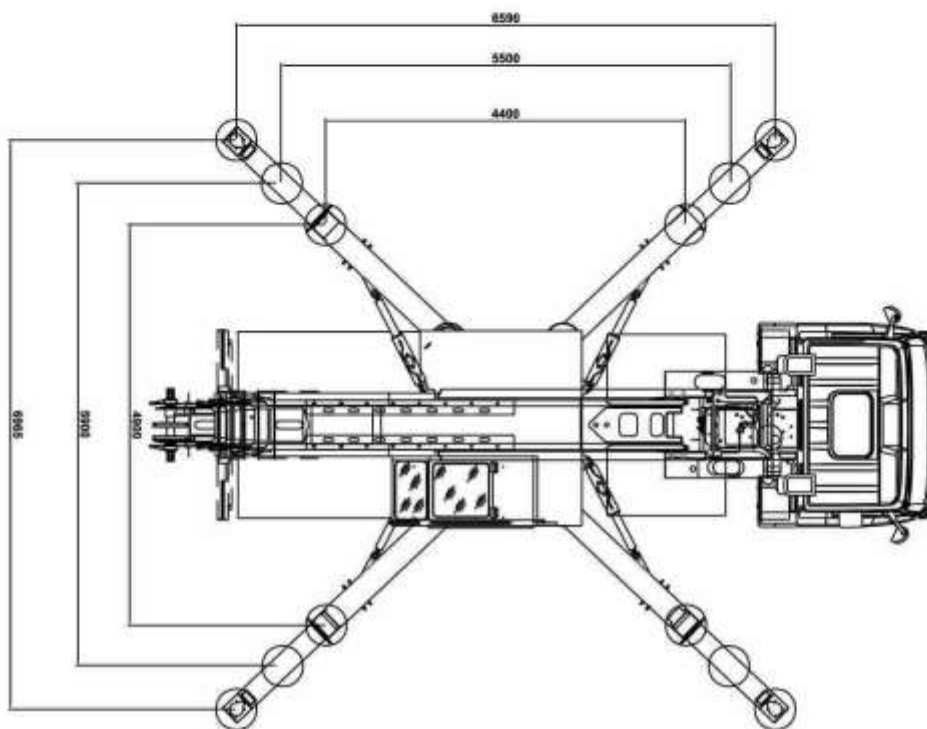
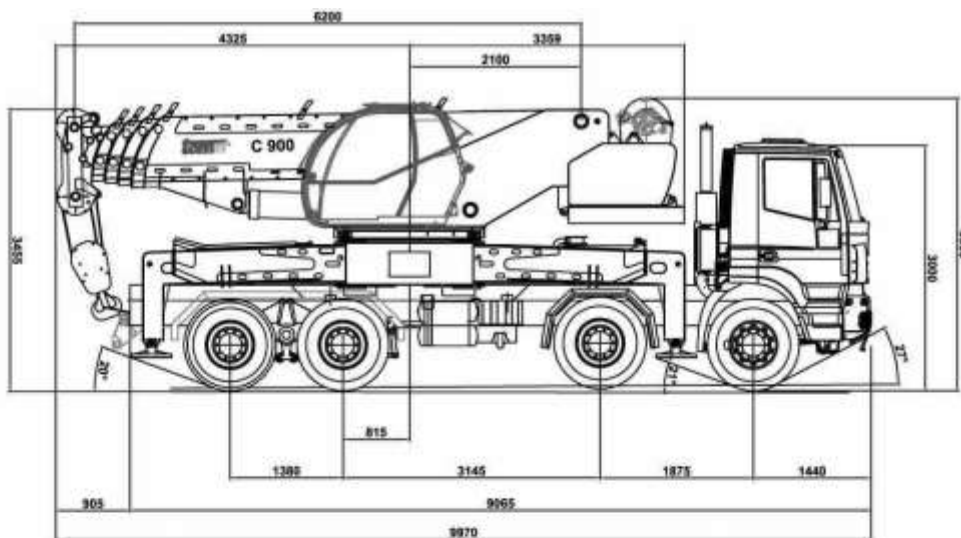


TCM C-900

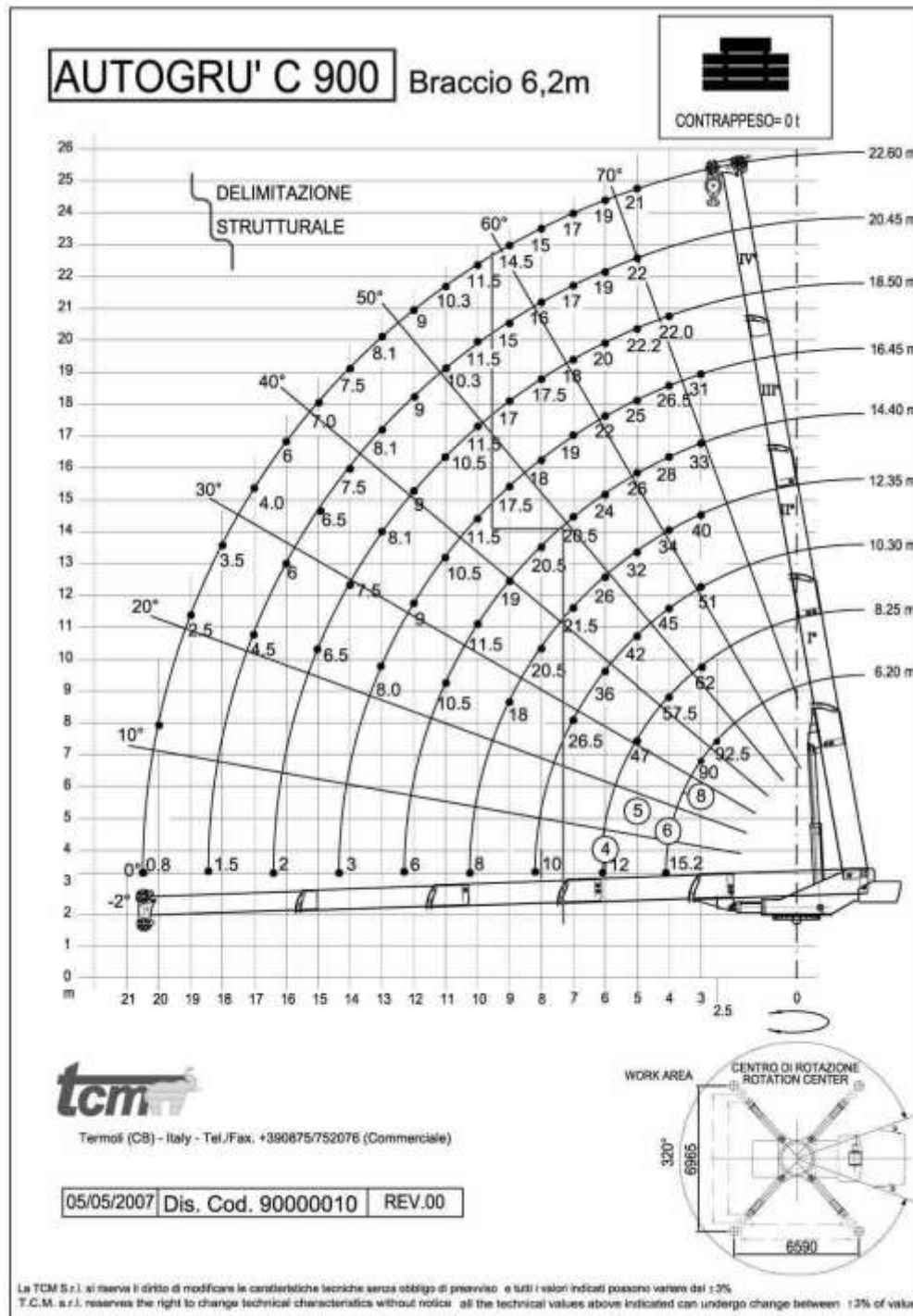


NO. ECO	G0025	FUNDA DE PLUMA	5.5
MODELO	TCM C-900	EXTENSION 1	4.2
TIPO	SOBRE CAMION	EXTENSION 2	4.2
CAPACIDAD	90 TONELADAS	EXTENSION 3	4.2
AÑO	2007	EXTENSION 4	4.5
SERIE Y PLACAS	014/2007 / 23AB8B	PESO	32
PLUMA BASICA	22.6	LARGO	9.97
AGUILON	10.9	ANCHO	2.5
ALCANCE TOTAL	33.5	ALTO	3.58
EJES	4	ESTABILIZADORES	6.9

TCM C-900






TCM C-900

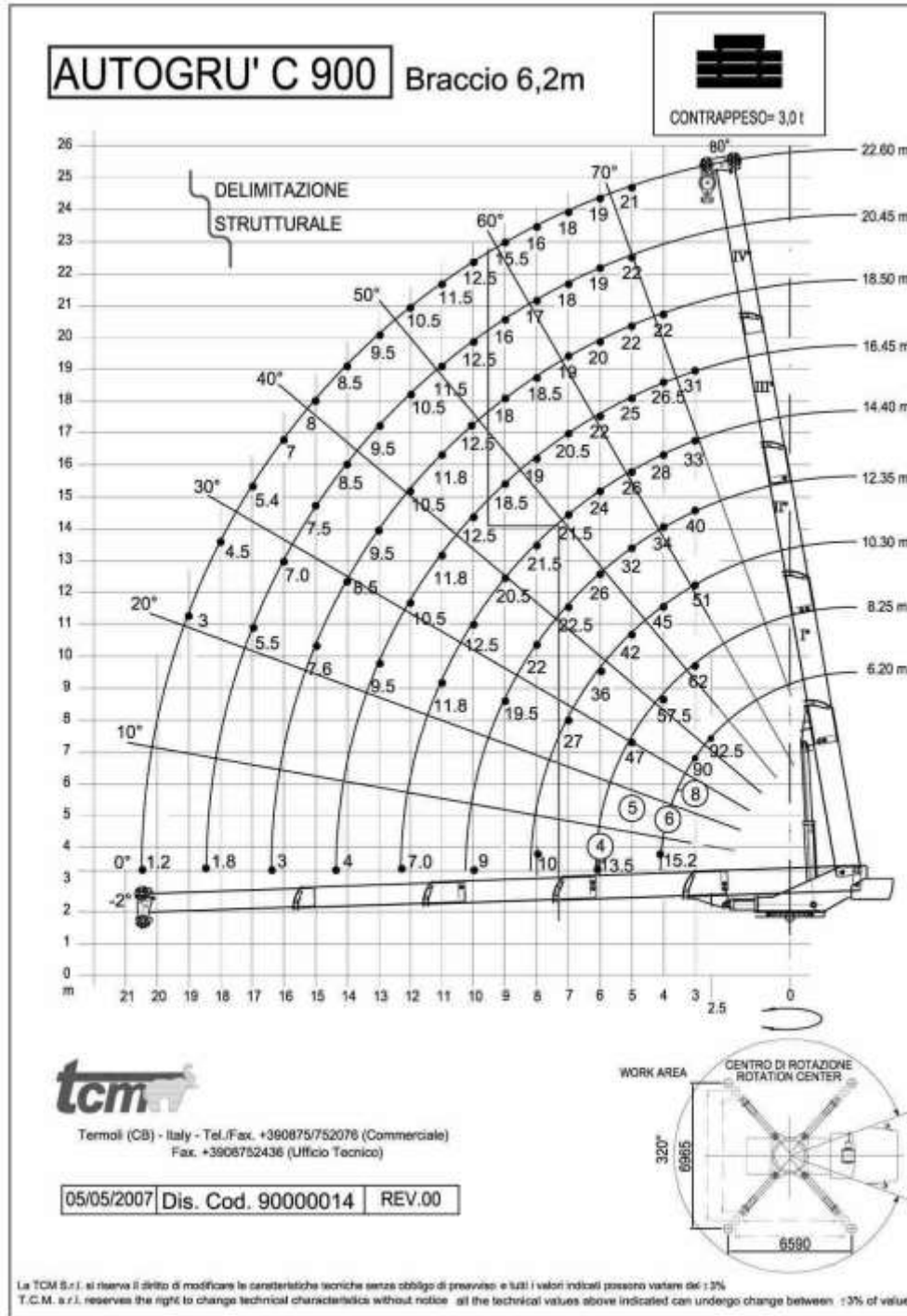


TCM C-900

AUTOGRU' C 900																		
STABILIZZAZIONE COMPLETAMENTE ESTESA 6,92 m X 6,54 m - PORTATE AL 75% ESPRESSE IN t																		
L	6,20 m		8,25 m		10,30 m		12,35 m		14,4 m		16,45 m		18,5 m		20,55 m		22,6 m	
%	1	0	50	0	100	0	100	0	100	0	100	0	100	0	100	0	100	0
	2	0	0	0	0	50	0	100	0	100	0	100	0	100	0	100	0	100
	3	0	0	0	0	0	0	0	0	50	0	100	0	100	0	100	0	100
	4	0	0	0	0	0	0	0	0	0	0	0	0	50	0	100	0	100
h	α°		t		α°		t		α°		t		α°		t		α°	
w	α°		t		α°		t		α°		t		α°		t		α°	
2.50	50,83	92,5																
3.00	43,25	90,0	58,60	62,0	66,01	51,0	70,46	40,0	73,63	33,0	75,92	31,0						
4.00			48,85	57,5	59,28	45,0	65,23	34,0	69,33	28,0	72,23	26,5	74,35	22,0				
4.10	0,00	15,2																
5.00			37,39	47,0	51,96	42,0	59,76	32,0	64,81	26,0	68,40	25,0	71,03	22,0	73,15	22,0	74,86	21,0
6.00			17,42	30,0	43,63	36,0	53,75	26,0	60,21	24,0	64,47	22,0	67,63	20,0	70,17	19,0	72,16	19,0
6.15			0,00	10,0														
7.00					33,69	26,5	47,23	21,5	55,20	20,5	60,37	19,0	64,18	18,0	66,90	17,0	69,44	17,0
8.00					16,62	24,0	40,09	20,5	49,70	20,5	56,11	18,0	60,54	17,5	63,92	16,0	66,61	15,0
8.20					0,00	12,0												
9.00							31,03	18,0	43,94	19,0	51,51	17,5	56,75	17,0	60,66	15,0	63,72	14,5
10.00							16,09	11,0	37,32	11,5	46,77	11,5	52,85	11,5	57,34	11,5	60,63	11,5
10.25							0,00	8,0										
11.00									28,83	10,5	41,12	10,5	47,53	10,5	53,68	10,3	57,67	10,3
12.00									16,09	10,3	34,99	9,0	43,95	9,0	49,88	9,0	54,54	9,0
12.30									0,00	6,0								
13.00											28,67	8,0	38,86	8,1	46,05	8,1	51,18	8,1
14.00											15,57	7,0	33,06	7,5	41,75	7,5	47,66	7,5
14.35											0,00	3,0						
15.00													25,06	6,5	37,01	6,5	43,90	7,0
16.00													14,57	5,8	31,62	6,0	39,69	6,0
16.40													0,00	2,0				
17.00															24,87	4,5	34,36	4,0
18.00															15,12	3,3	30,43	3,5
18.45															0,00	1,5		
19.00																	24,15	2,5
20.00																	15,12	1,1
20.50																	0,00	0,8
21.0																		
22.0	COD. 90000010																	

TCM C-900



TCM C-900

